

SECURAM

SCANLOGIC AUDIT



ScanLogic Audit Safe Lock

The ScanLogic Audit is a very reliable and robust biometric safe lock system ideal for commercial applications. The ScanLogic Audit features SECURAM's rugged stainless steel construction, optical fingerprint authentication and 500 event audit reporting.

Simple to Use • Reliable

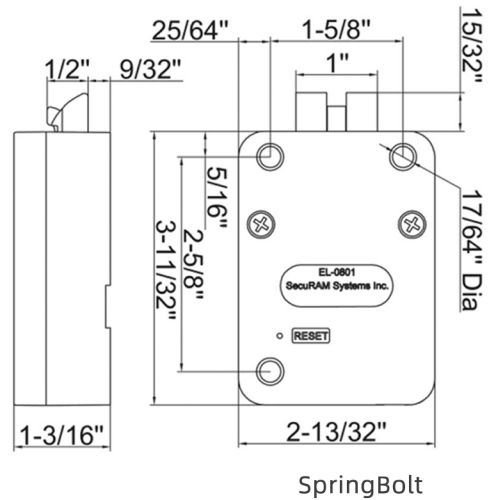
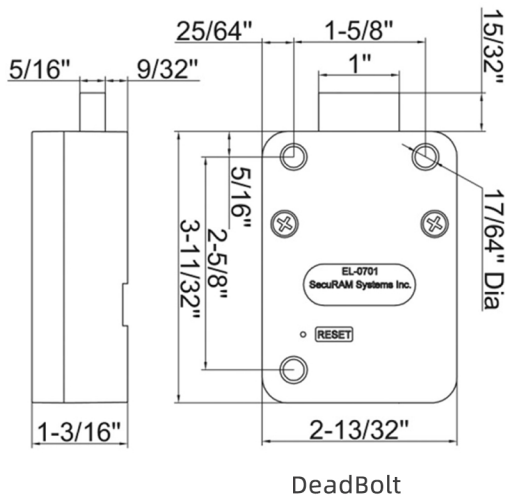
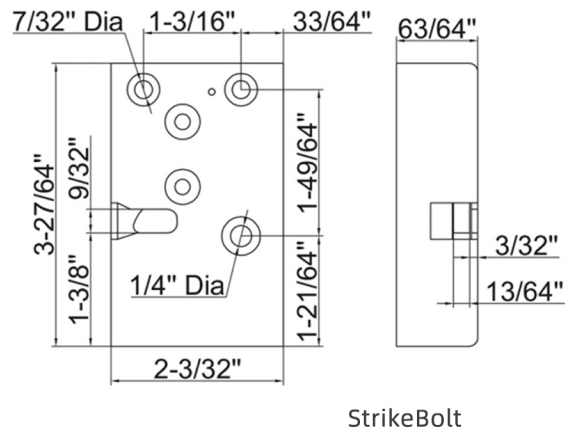
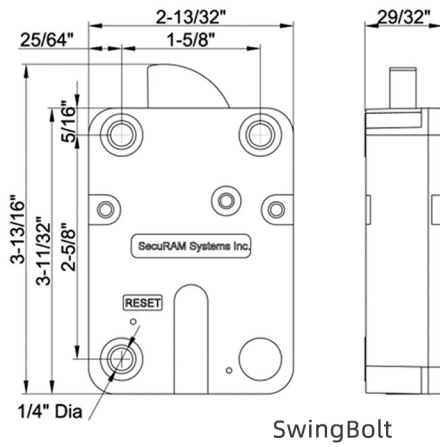
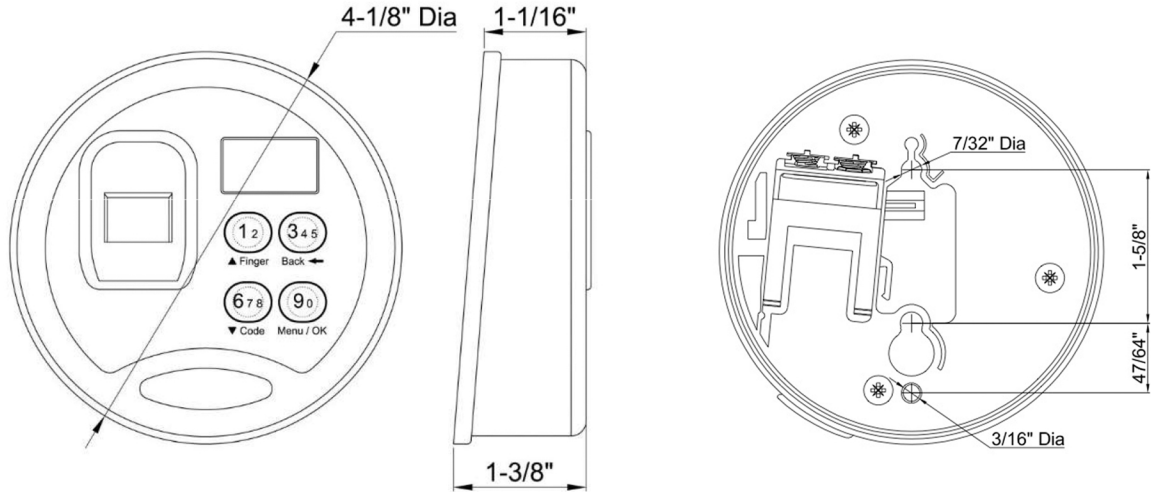
- Place your registered finger on the optical reader and turn the safe handle. That's it.
- Easy fingerprint enrollment process.
- Open with fingerprint and/or code.
- ScanLogic Audit supports 30 fingerprints and 30 codes plus a 500 event date and time stamped audit trail.
- Every SECURAM lock undergoes a 2,000 cycle quality management program before it leaves the manufacturing facility. Unprecedented commitment to quality and reliability.

Features

- LCD Screen for Easy programming
- 30 Fingerprints & User Codes. 2 manager, and 28 user codes
- Super Code programming management and control
- 10 Digit Code
- 500 Event Time /Date stamped Audit Trail
- Level 1 - Code Only
- Level 2- Fingerprint & Code
- Level 3 -Fingerprint or Code
- Time Delay 0-99min; Time Window 1-15min
- Time Delay Override Codes
- Recovery Code
- Single or Dual Control Modes
- Enable/Disable User Codes
- Can Control up to 4 locks
- Penalty LockOut after 4 incorrect codes
- Stainless Steel EntryPad Housing
- SureLock Battery Management
- Can be paired with any SECURAM Lock
- Finishes: Chrome (CH), Brass (BR), Black Chrome (BC)

Part # FPC-0601A-M-II

SECURAM



Specifications

Power Supply	(1) 9V Alkaline Battery (Duracell)
Battery Life Span	About one year
Code Length	10 Digits
Standby Current	<50uA
Battery Low Voltage	5.4+/-0.2V
Operating Humidity	90% Maximum