

SECURAM

SCANLOGIC BASIC



ScanLogic Basic Safe Lock

The ScanLogic Basic is a very reliable and robust biometric safe lock system ideal for Home safe, Gun safe and light commercial applications. The ScanLogic Basic features SECURAM's polycarbonate housing and an RF fingerprint sensor.

Simple to Use • Reliable

- Simply place your enrolled finger on the sensor and turn the safe handle. That's it.
- For code access, simply enter your 6 digit code.
- ScanLogic Basic supports 3 codes and 5 associated fingerprints per code for a total of 15 fingerprints.
- Every SECURAM lock undergoes a 2,000 cycle quality management program before it leaves the manufacturing facility. Unprecedented commitment to quality and reliability.

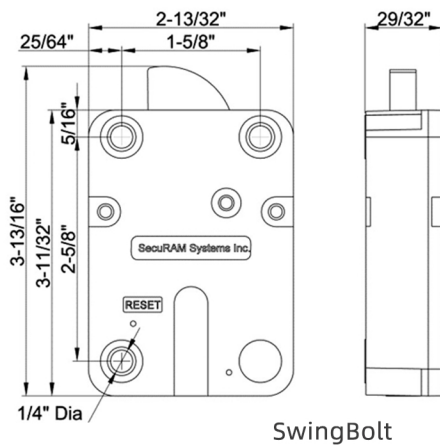
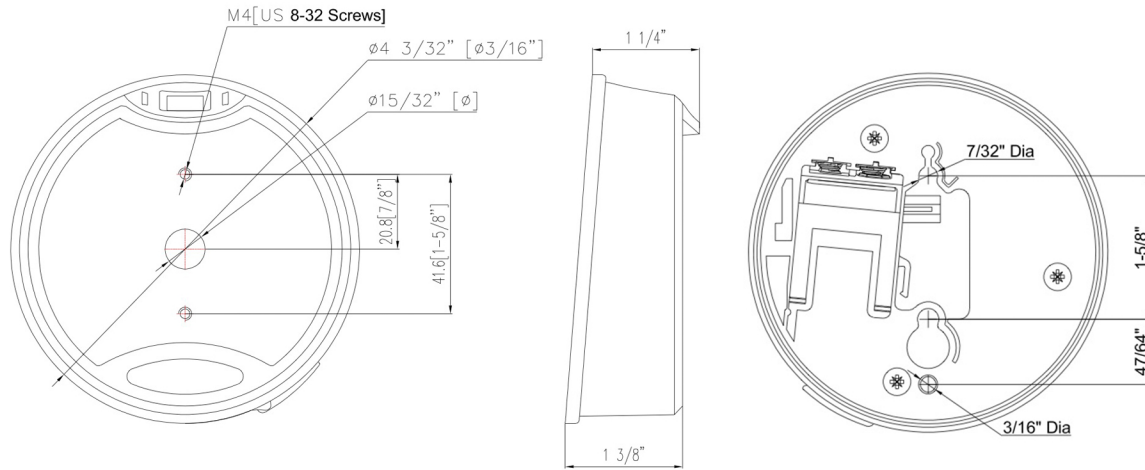
Features

- Fast 1 second fingerprint access, sensor quickly reads your fingerprint in any position and automatically unlocks
- 3 codes and 5 associated fingerprints per code for a total of 15 fingerprints
- Administrator fingerprint or code is used to add new fingerprints
- Uses active RF sensor for fast authentication and reliable service
- Audible beeps and green/red light indicators makes programming easy
- Reset Code
- Stealth mode - turn beeper on/off
- 4,000+ openings on a 9 Volt battery (AC Power optional)
- Standard footprint and mounting pattern, easy retrofit for any mechanical or electronic safe lock
- Changing the battery is easy with our SureLock Battery Management system
- Finish: Matte Black

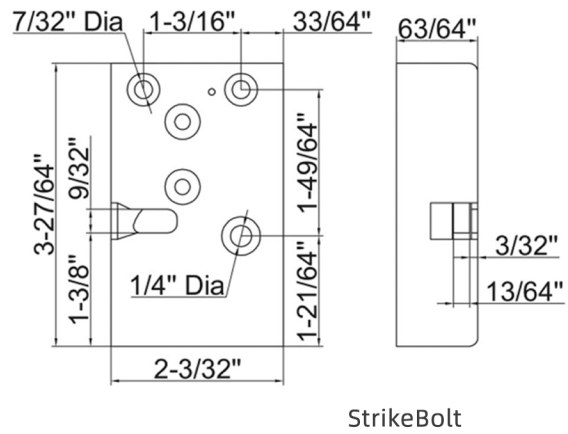
Part # FPC-1808-II-MB

SECURAM

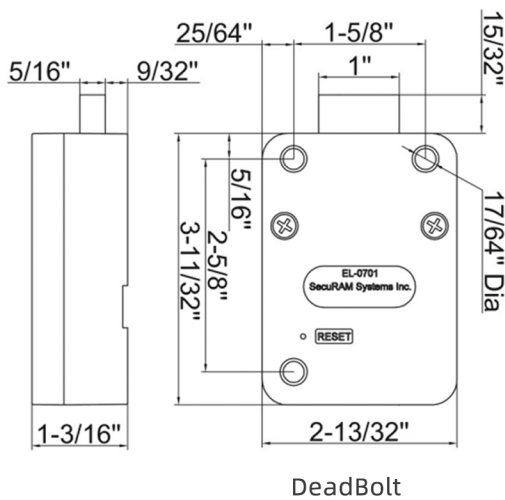
SECURAM



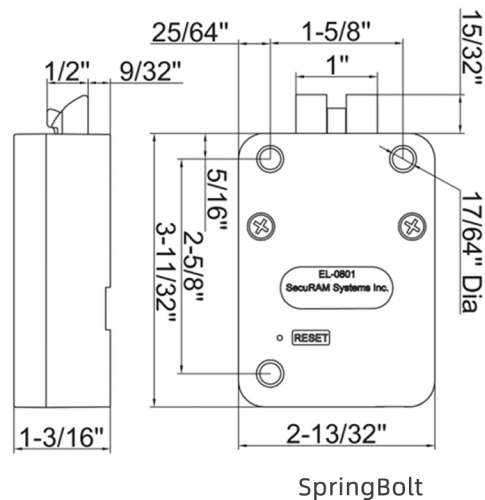
SwingBolt



StrikeBolt



DeadBolt



SpringBolt

Specifications

Power Supply	(1) 9V Alkaline Battery (Duracell)
Battery Life Span	About one year
Code Length	6-8 Digits
Standby Current	<50uA
Battery Low Voltage	5.4+/-0.2V
Operating Humidity	90% Maximum